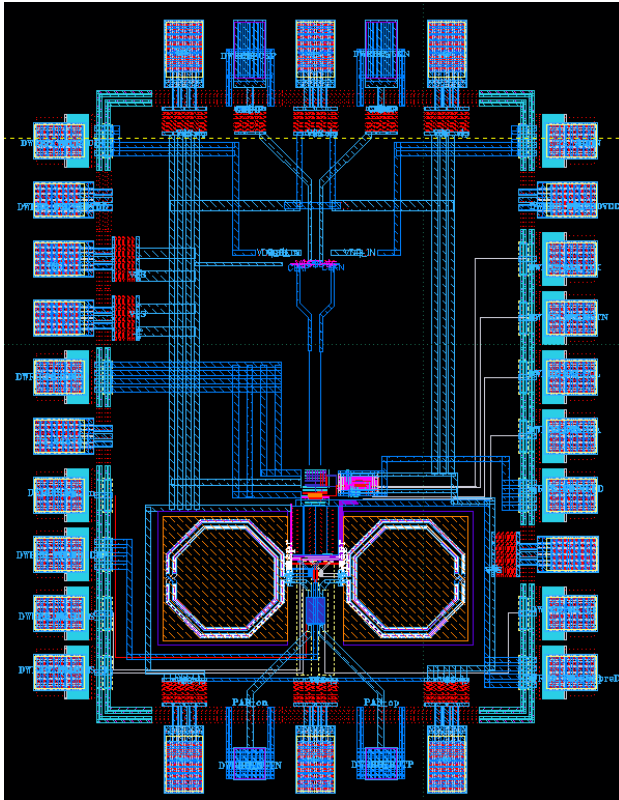


2020-1 Works

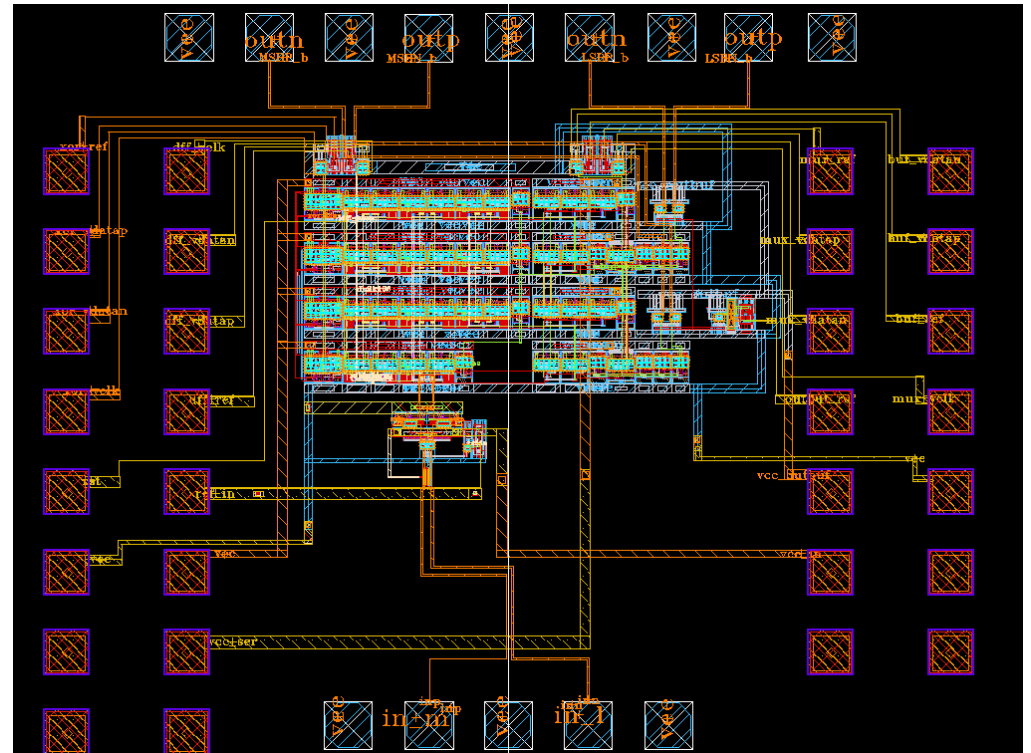
Samsung 28nm LPP
50-Gb/s PAM-4 Tx IC

2020.03



EPIC Cu 617 tape-out
32-Gb/s BiCMOS Serializer IC

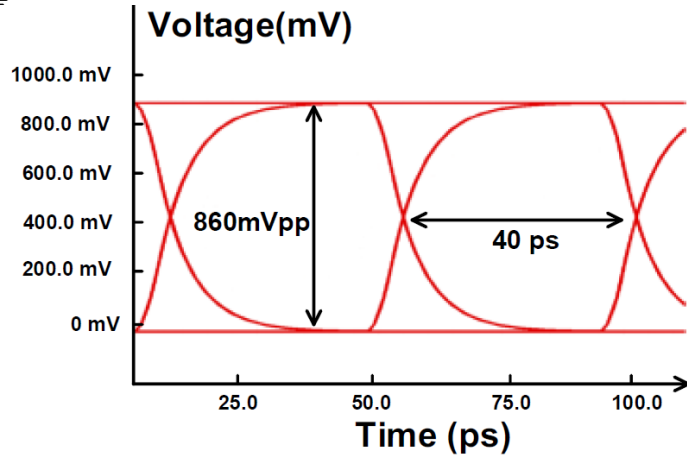
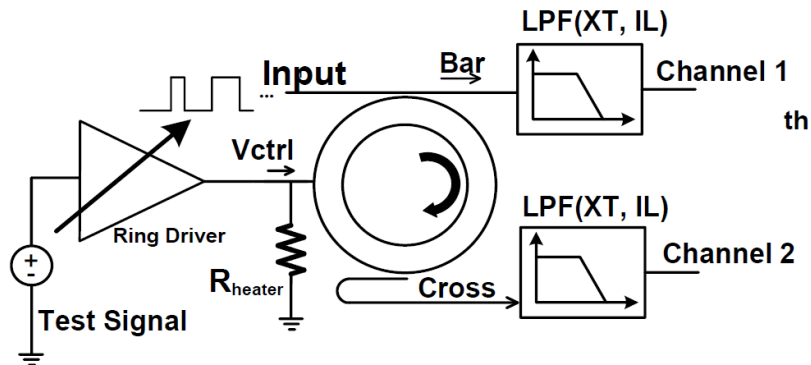
2020.03~2020.05



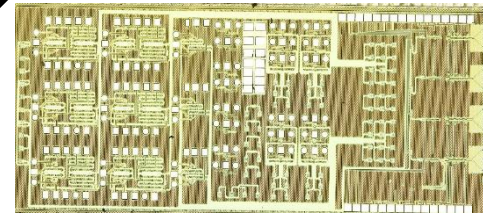
2020-1 Works

2020.10. ISOCC

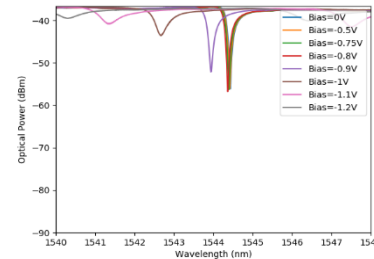
Performance Optimization of Si Photonic Ring Switch with CMOS Driver



T378 1550nm MRM & S1905 Measurement



Forward (Gap = 230 nm)



Reverse (Gap = 230 nm)

